

TRX

1A & 2.5A 24v dc regulated power supply

The Haes 1A and 2.5A 'TRX' transformer rectifier power supplies are suitable for applications requiring a simple regulated 24vdc supply, where the charging of standby batteries is not required.

Typical applications include door retaining magnets, electromagnetic door closers or analogue system interface modules.

The power supply units come complete with an integral load switching relay and are enclosed in a mild steel cabinet with a 'Supply On' LED indicator and 20mm knockouts for cable entry.

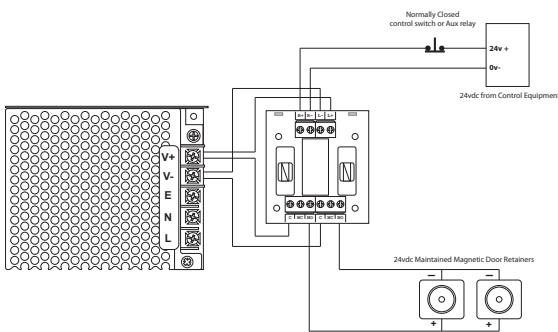


Features

Main Features

- High efficiency switched mode power supplies
- Compact 1A & 2.5A models
- Regulated 24v dc supply output
- Integral load switching relay

- Wide mains input voltage range
- Overload protected



Technical specifications

Enclosure	1.2mm Mild Steel IP34. Colour ref: MW334E Interpon powder coat
Cable Entry	Via 20mm knockouts located in the top and rear of the cabinet
Dimensions	255mm W x 160mm H x 55mm D
Input Voltage	88-264vac, 47-63Hz
Input Current	1A : 0.55A / 230vac 2.5A : 1.2A / 230vac
Relay	Dual volt free changeover, 24vdc coil, fused @ 3.15A, 20mm glass fuse
Temperature Rating	-25°C to +70°C. Humidity 20-90% RH non condensing

Model	Output Voltage dc	Max Current	Max Continuous Load	Power Rating	Ripple	Overload
TRX1A-24	24	1.5A	1A	36W	2/20MV P-P	110-150%
TRX2.5A-24	24	3.2A	2.5A	76.8W	2/120MV P-P	Auto Recovery

Models

TRX1A-24	TRX power supply, 1 amp continuous load rating
TRX2.5-24	TRX power supply, 2.5 amp continuous load rating