

## EN-54-4 Approved

The Advanced 1.5A, 3.0A and 5.0A power supply units can be used for any fire alarm system which specifies EN54-4 power supply equipment.

Suited for almost any application, the power supply unit/battery charger has been developed using the latest surface mount technology to provide a high efficiency switch mode power supply.

The power supply units are available in fully enclosed construction providing power and fault indication or alternatively in caged versions for mounting into existing enclosures of various sizes to suit different battery capacities.

PSE and charger or PSE only options on the 3.0A and 5.0A versions.

A Serial Link option is provided on the 3.0A and 5.0A versions. Allows reporting of PSE status and voltages / current measurements to compatible control panel / modules.

**Applications**

For any fire alarm system which specifies EN54-4 power supplies (e.g. BS5839 code of practice).

These power supply units can be used in any fire alarm installation requiring a 24Volt supply for operation.

**Features**

A range of power supply equipment with power output options to suit most applications.  
Universal AC input on the 3.0A and 5.0A versions

High efficiency switched mode power supplies  
Compact 1.5A, 3.0A and 5.0A versions

## Key Features

Approved EN54-4      Boxed or un-boxed      Power and fault indication      3 Year Warranty

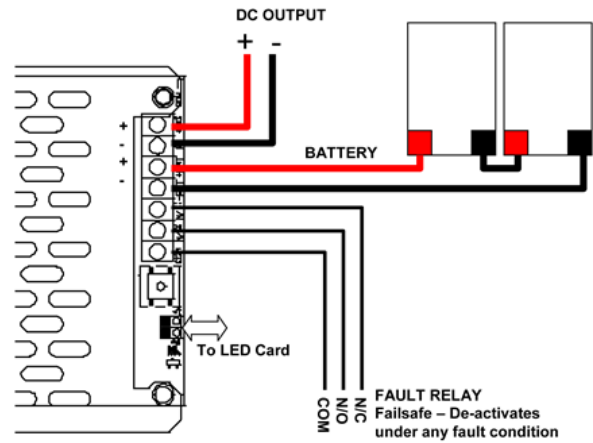
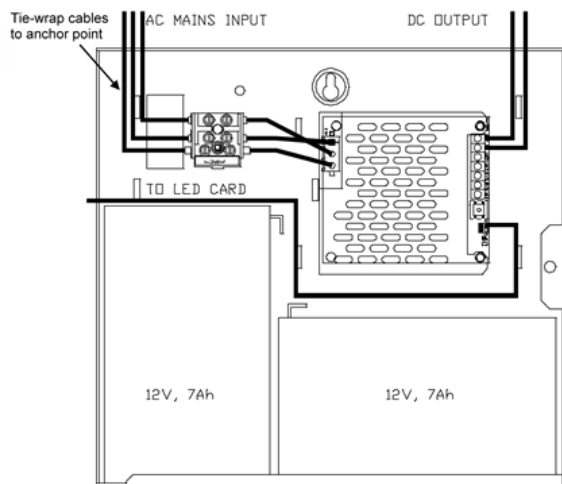
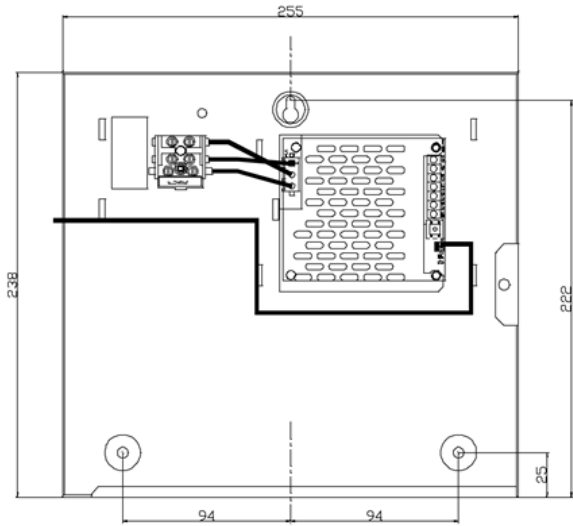
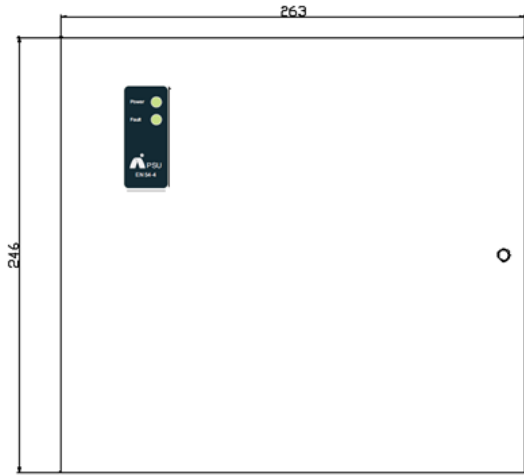
	MXP-549	MXP-550	MXP-551
Environment	Indoor, Dry (IP30)	Indoor, Dry (IP30)	Indoor, Dry (IP30)
Operating Temperature	-5°C to +40°C	-5°C to +40°C	-5°C to +40°C
Relative Humidity	95%	95%	95%
Wire Guage(max.)	2.5mm <sup>2</sup>	2.5mm <sup>2</sup>	2.5mm <sup>2</sup>
Input Supply(AC)	220-240V AC, 47-63Hz, 0.5A	200-240V AC, 47-63Hz, 0.5A	200-240V AC, 47-63Hz, 0.5A
Output Voltage(DC)	Max 28.5V DC, Min 21V DV	Max 28.5V DC, Min 21V DV	Max 28.5V DC, Min 21V DV
Output Current (IMAXA=IMAXB)	1.0A (Min Load 10mA)	2.0A (Min Load 10mA)	3.0A (Min Load 10mA)
Charging Voltage	27.4V @ 20C nominal, temperature compensated	27.4V @ 20C nominal, temperature compensated	27.4V @ 20C nominal, temperature compensated
Charging Current	0.5mA	1.0A	2.0A
Ripple	200mV (1V p-p switching noise)	200mV (1V p-p switching noise)	200mV (1V p-p switching noise)
Fuse (AC Mains TB)	T3.15AH250V	T3.15AH250V	T3.15AH250V
Battery Size	7Ah	7Ah-24Ah	7Ah-38Ah
Battery Internal Resistance	3.3ohm max	1.6ohm max	0.8ohm max
Deep discharge cut-off	19V	19V	19V
Fault Relay	30V AC/DC, 1.0A	30V AC/DC, 1.0A	30V AC/DC, 1.0A
Standard (Harmonised)	EN54-4:1997 + A1:2002+A2:2006	EN54-4:1997 + A1:2002+A2:2006	EN54-4:1997 + A1:2002+A2:2006
External Indication	Green: Power Indicator Amber: Fault Indicator	Green: Power Indicator Amber: Fault Indicator	Green: Power Indicator Amber: Fault Indicator
On Board Indication	Mains Fail, Charger Fail, Battery Open Circuit, Battery Low Heart Beat	Mains Fail, Charger Fail, Battery Open Circuit, Battery Low Heart Beat	Mains Fail, Charger Fail, Battery Open Circuit, Battery Low Heart Beat

## Order Codes and Options

MXP-549: 1.5A PSE in 7Ah enclosure  
 MXP-550: 3.0A PSE in 17Ah enclosure  
 MXP-550-D: 3.0A PSE in 24Ah enclosure

MXP-551: 5.0A PSE in 17Ah enclosure  
 MXP-551-D: 5.0A PSE in 38Ah enclosure

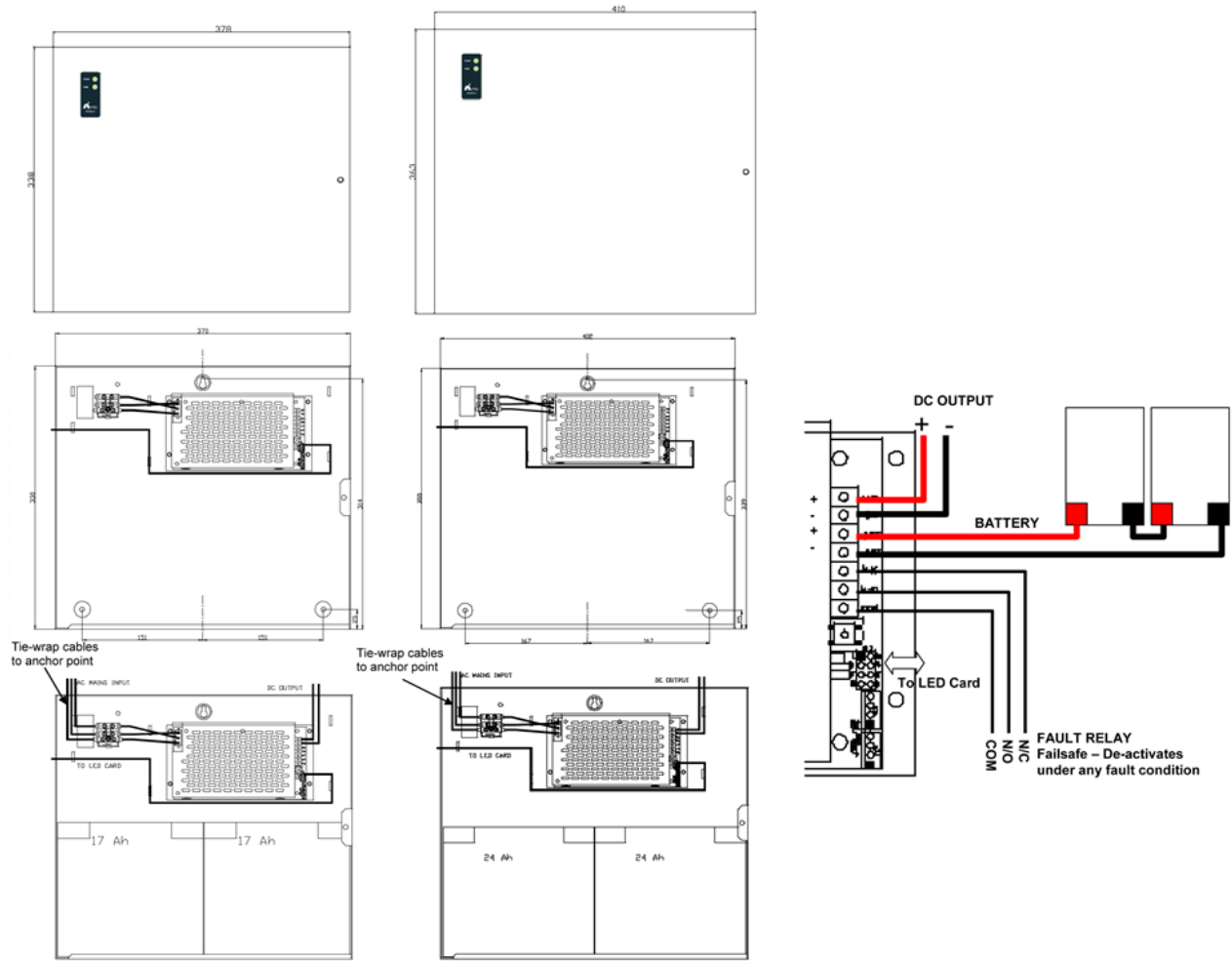
Dimensions: 246(h)x263(w)x80(d)mm



## MXP-549 1.5A Power Supply

**DIMENSIONS:**  
**MXP-550** 338 (H) x 378 (W) x 110 (D) mm

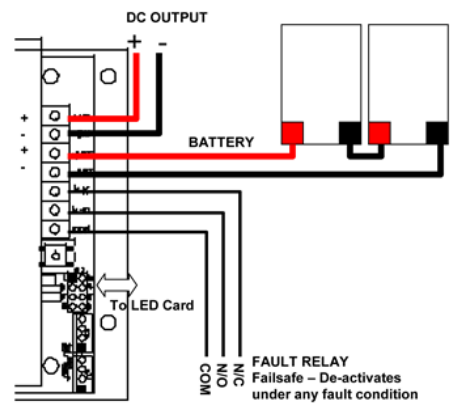
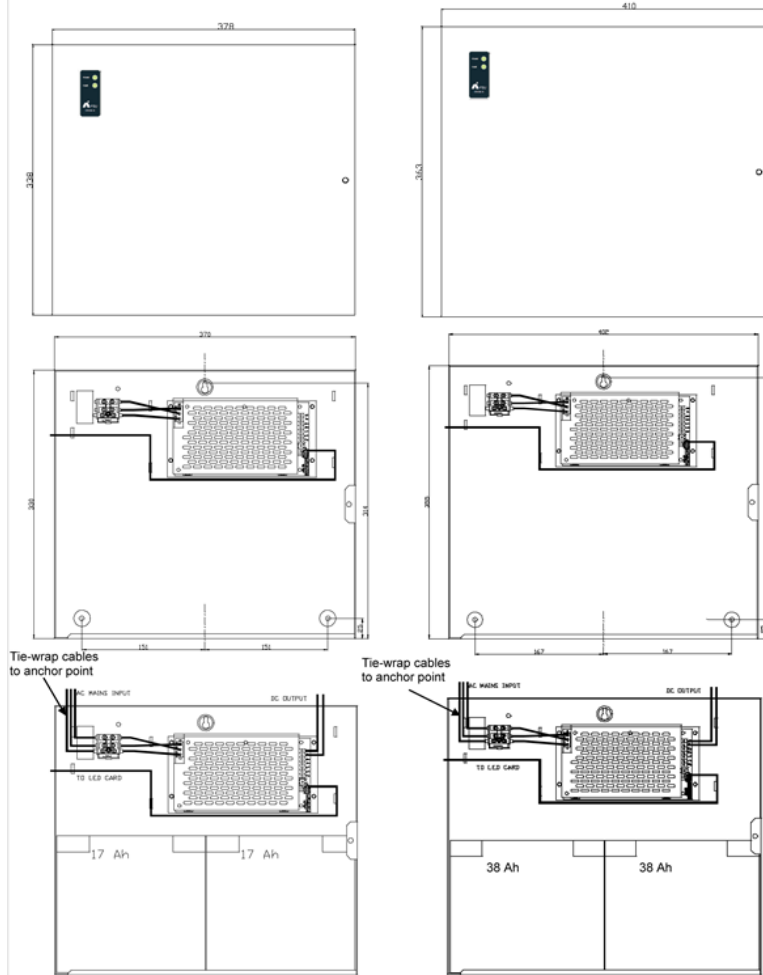
**MXP-550D** 363 (H) x 410 (W) x 185 (D) mm



## MXP-550 3A Power Supply

**DIMENSIONS:**  
**MXP-551** 338 (H) x 378 (W) x 110 (D) mm

**MXP-551D** 363 (H) x 410 (W) x 185 (D) mm



## MXP-551 5A Power Supply